



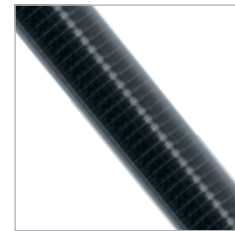
© X-Yachts



| PRODUCT No. | DESCRIPTION | ROPE DIAM. mm | HOLE SPACING mm | FASTENER SIZE mm | M.W.L. kg | WEIGHT g | ROPE DIAM. in | HOLE SPACING in | FASTENER SIZE in | M.W.L. lb | WEIGHT oz |
|--------------------------------|---|---------------|-----------------|------------------|-----------|----------|---------------|-----------------|------------------|-----------|-----------|
| Rope Cleats and Jammers | | | | | | | | | | | |
| RF494 | V-jammer, stainless steel, 69mm (2 3/4") long | 6 | 56 | 2 x 4 | - | 14 | 1/4 | 2 7/32 | 2 x 3/16 | - | 0.5 |
| RF520 | Horn cleat, nylon. 75mm (3") long | 4 | 25 | 2 x 5 | - | 10 | 5/32 | 1 | 2 x 3/16 | - | 0.4 |
| RF521 | Horn cleat, nylon. 100mm (4") long | 5 | 28 | 2 x 5 | - | 15 | 3/16 | 1 3/32 | 2 x 3/16 | - | 0.5 |
| RF522 | Horn cleat, nylon. 125mm (5") long | 6 | 38 | 2 x 6 | - | 30 | 1/4 | 1 1/2 | 2 x 1/4 | - | 1.1 |
| RF523 | Horn cleat, nylon. 165mm (6 1/2") long | 8 | 41 | 2 x 6 | - | 50 | 5/16 | 1 5/8 | 2 x 1/4 | - | 1.8 |
| RF524 | Horn cleat, nylon. 200mm (8") long | 10 | 48 | 2 x 6 | - | 85 | 3/8 | 1 29/32 | 2 x 1/4 | - | 3.0 |
| RF1387 | Rope jammer, compact style. 60mm (2 3/8") long. Supplied with two base plates, for use with 4-6mm (5/32"-1/4") diameter rope and 6-8mm (1/4"-5/16") diameter rope | 4 - 8 | 45 | 2 x 6 | 410 | 165 | 5/32 - 5/16 | 1 25/32 | 2 x 1/4 | 900 | 5.8 |



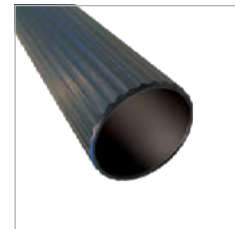
Lightweight carbon extension grip



Tapered carbon tube optimises weight



Lightweight EVA grip & end knob



Lightweight & rigid aluminium tube



Full-articulation universal joint



Removable urethane universal joint

BATTLESTICK™ TILLER EXTENSIONS

ULTIMATE PERFORMANCE AND CONTROL

Ronstan Battlestick™ tiller extensions in lightweight carbon composite and aluminium alloy provide the highest level of control for quick, decisive helm response in every situation.

Carbon Battlestick™ positive grip

The unique lightweight grip remains effective when wet and its slim profile transitions smoothly from the carbon tube to a comfortable ergonomic shape to minimise fatigue. The ribbed finish on the tube provides additional positive grip along its full length, and an end stop is fitted for comfort and safety. Short tiller extensions have smaller grip diameters to match typically smaller hands.

Lightweight & strong

The dual laminate construction has been precisely engineered for minimum weight, without sacrificing the durability required to meet the rigours of modern sailing. A combination of full length longitudinal and 45° lateral glass and carbon fibres balance optimum stiffness with extra resilience to resist breakage.

Tapered carbon composite tube

The tapered design maximises rigidity and strength at the helmsman's end for positive feel and resistance to breakage over the gunwale when things get ugly.

Alloy Battlestick™ ergonomic EVA grip

This firm non-slip grip material does not absorb water and the large grip diameter contrasts ergonomically with mainsheet diameter to relieve fatigue. The end knob ensures safety and positive hand positioning.

Fluted alloy tube

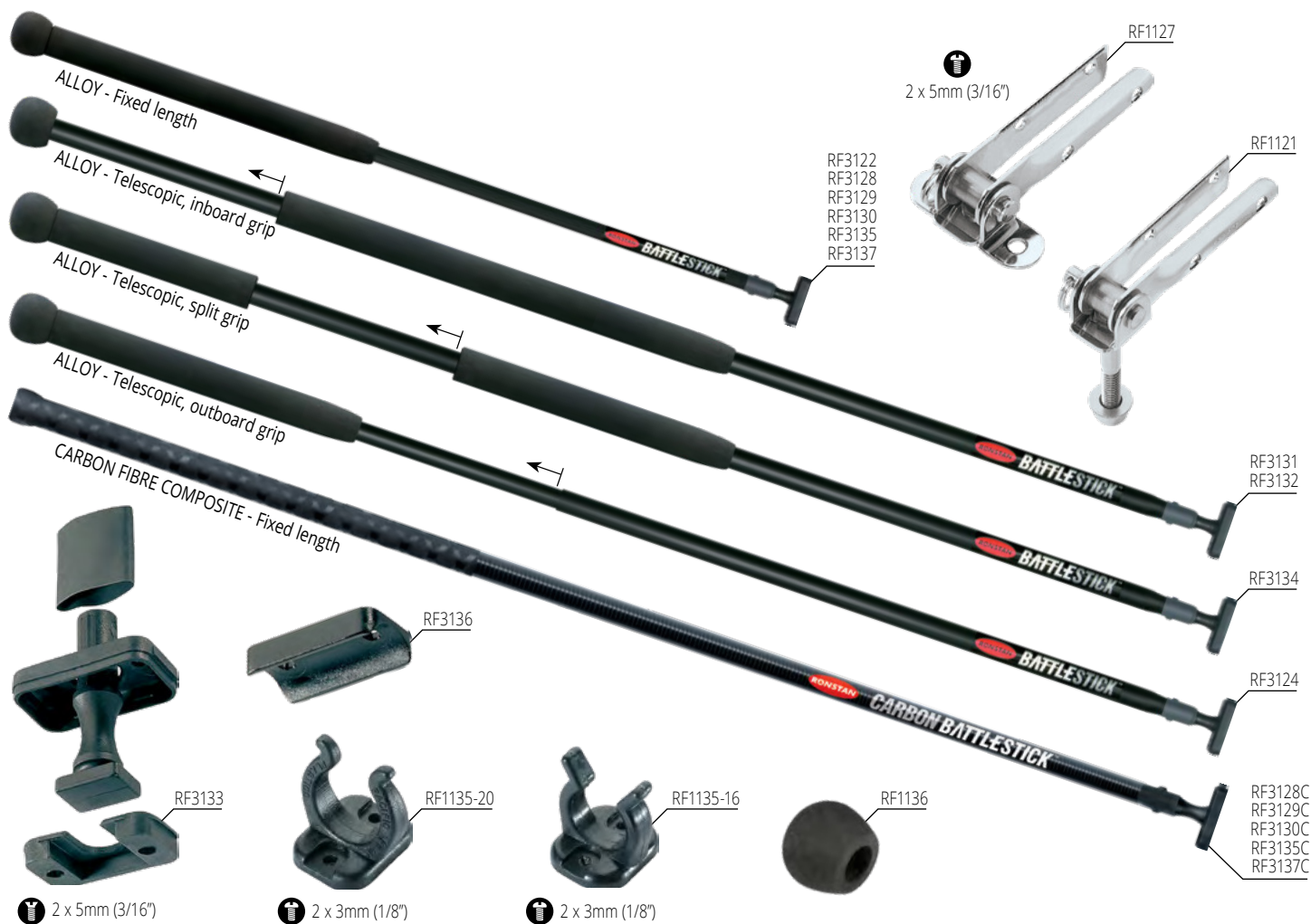
Ronstan's aluminium tiller extensions have a unique fluted profile that adds extra rigidity to the lightweight alloy section. Tubes have a black anodised finish for corrosion protection.

The right length

Battlesticks™ are available in six standard lengths from 610mm (24" to 98") to suit virtually any class or personal preference. To facilitate cutting of the tube to a custom length the 2500mm (98") RF3137C does not include a grip or end cap. Telescopic alloy versions are available in four configurations, up to the maximum of 2500mm (98") long with 960mm (38") of adjustment.

Urethane universal joint

The universal joint in high grade, UV resistant urethane provides smooth, uniform articulation and flexibility in all directions for a quick and firm response to steering.



| PRODUCT No. | DESCRIPTION | LENGTH mm | TUBE DIAM. mm | GRIP DIAM. mm | WEIGHT g | LENGTH in | TUBE DIAM. in | GRIP DIAM. in | WEIGHT oz |
|-------------|-------------|--------------|------------------|------------------|-------------|--------------|------------------|------------------|--------------|
|-------------|-------------|--------------|------------------|------------------|-------------|--------------|------------------|------------------|--------------|

Carbon Fibre Tiller Extensions

| | | | | | | | | | |
|----------|-------------------------------------|------|---------|----|-----|----|-----------|-----|------|
| RF3128C | Carbon fibre, tapered, fixed length | 610 | 16 > 20 | 22 | 108 | 24 | 5/8 > 3/4 | 7/8 | 3.8 |
| RF3129C | Carbon fibre, tapered, fixed length | 840 | 16 > 22 | 24 | 137 | 33 | 5/8 > 7/8 | 1 | 4.8 |
| RF3130C | Carbon fibre, tapered, fixed length | 1030 | 16 > 23 | 25 | 155 | 41 | 5/8 > 7/8 | 1 | 5.5 |
| RF3135C | Carbon fibre, tapered, fixed length | 1250 | 16 > 24 | 26 | 179 | 49 | 5/8 > 1 | 1 | 6.3 |
| RF3137C* | Carbon fibre, tapered, fixed length | 2500 | 16 > 25 | - | 310 | 98 | 5/8 > 1 | - | 10.9 |

Alloy Tiller Extensions

| | | | | | | | | | |
|--------|----------------------------------|-------------|---------|----|-----|---------|-----------|-------|------|
| RF3128 | Alloy, fixed length | 610 | 16 | 25 | 150 | 24 | 5/8 | 1 | 5.3 |
| RF3129 | Alloy, fixed length | 840 | 16 | 25 | 180 | 33 | 5/8 | 1 | 6.4 |
| RF3130 | Alloy, fixed length | 1030 | 16 | 25 | 215 | 41 | 5/8 | 1 | 7.6 |
| RF3135 | Alloy, fixed length | 1250 | 16 | 25 | 260 | 49 | 5/8 | 1 | 9.2 |
| RF3122 | Alloy, fixed length | 2030 | 16 | 25 | 415 | 80 | 5/8 | 1 | 14.7 |
| RF3137 | Alloy, fixed length | 2500 | 16 | 25 | 515 | 98 | 5/8 | 1 | 18.2 |
| RF3134 | Alloy, telescopic, split grip | 740 - 1120 | 16 + 20 | 30 | 310 | 29 - 44 | 5/8 + 3/4 | 1 1/4 | 10.9 |
| RF3131 | Alloy, telescopic, inboard grip | 740 - 1210 | 16 + 20 | 30 | 285 | 29 - 48 | 5/8 + 3/4 | 1 1/4 | 10.1 |
| RF3132 | Alloy, telescopic, inboard grip | 1070 - 1770 | 16 + 20 | 30 | 400 | 42 - 70 | 5/8 + 3/4 | 1 1/4 | 14.1 |
| RF3124 | Alloy, telescopic, outboard grip | 1530 - 2490 | 16 + 20 | 30 | 485 | 60 - 98 | 5/8 + 3/4 | 1 1/4 | 17.1 |

Accessories

| | | | | | | | | | |
|-----------|--|---|---|---|----|---|---|---|-----|
| RF1121 | Stainless steel bolt-through universal joint. Suits 16mm (5/8") outside diam. tube. Incorporating 1/4" UNCx1 3/4" (45mm) long bolt | - | - | - | 64 | - | - | - | 2.3 |
| RF1127 | Stainless steel screw down universal joint. Suits 16mm (5/8") outside diam. tube | - | - | - | 56 | - | - | - | 2.0 |
| RF1135-16 | Nylon tiller extension retaining clip. Suits 16mm (5/8") diam. tube | - | - | - | 7 | - | - | - | 0.2 |
| RF1135-20 | Nylon tiller extension retaining clip. Suits 20mm (3/4") diam. tube | - | - | - | 4 | - | - | - | 0.1 |
| RF1136 | Tiller extension end knob, EVA foam, suits 16mm (5/8") outside diam. tube | - | - | - | 35 | - | - | - | 1.2 |
| RF3133 | Urethane universal joint. Suits 13.5mm (17/32") inside diam. tube | - | - | - | 35 | - | - | - | 1.2 |
| RF3136 | Round tiller adapter for RF3133. Suits 25-32mm (1-1 1/4") tiller | - | - | - | 7 | - | - | - | 0.2 |

* Grip and end cap not included.



4 x 5mm (3/16")



4 x 5mm (3/16")



4 x 5mm (3/16")



4 x 5mm (3/16")



✔ Pintle pins are cross-drilled to accept the RF413 retaining clip.

✔ PNP55 retaining clip for transom mounting provides simple rudder retention security.

⚠ Off-the-beach dinghies and catamarans.

| PRODUCT No. | DESCRIPTION | PIN/HOLE DIAM. mm | INTERNAL WIDTH mm | STRAP LENGTH mm | WEIGHT g | PIN/HOLE DIAM. in | INTERNAL WIDTH in | STRAP LENGTH in | WEIGHT oz |
|------------------------------|--|-------------------|-------------------|-----------------|----------|-------------------|-------------------|-----------------|-----------|
| 6.4mm (1/4") Pin/Hole | | | | | | | | | |
| RF239 | Rudder gudgeon, stainless steel | 6.4 | 38 | 51 | 40 | 1/4 | 1 1/2 | 2 | 1.4 |
| RF243 | Rudder gudgeon, stainless steel | 6.4 | 25 | 56 | 35 | 1/4 | 1 | 2 3/16 | 1.2 |
| RF254 | Transom gudgeon, stainless steel | 6.4 | - | - | 31 | 1/4 | - | - | 1.1 |
| RF255 | Transom pintle, stainless steel | 6.4 | - | - | 45 | 1/4 | - | - | 1.6 |
| Accessories | | | | | | | | | |
| PNP55 | Retaining clip, transom mount, nylon | - | - | - | 5 | - | - | - | 0.2 |
| RF413 | Retaining clip, 2.7mm (3/32") diam. wire, 16mm(5/8") inside diam., stainless steel | - | - | - | 3 | - | - | - | 0.1 |