

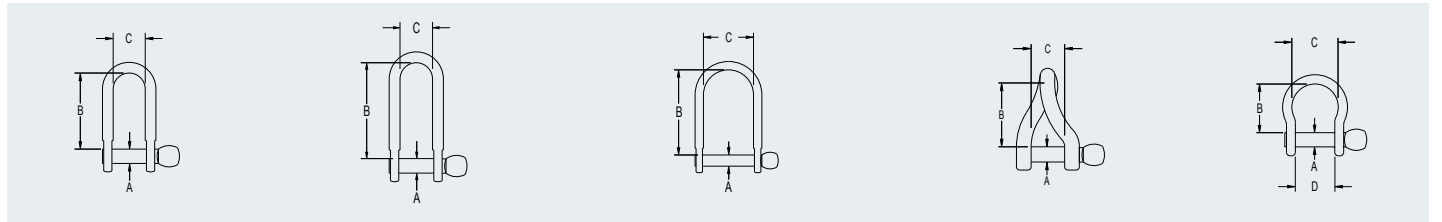
# SHACKLES



☑ Many shapes and sizes to suit any application.

☑ Coined shackle pin head - some models with hole for seizing wire.

☑ Grade 316 stainless steel bodies and pins.



PRODUCT No.	A	B	C	D	U.D.L.*1	P.L.*1	WEIGHT	A	B	C	D	U.D.L.*1	P.L.*1	WEIGHT
	mm	mm	mm	mm	B.L. kg	B.L. kg		g	in	in	in	in	B.L. lb	
<b>Standard D</b>														
RF1851	3.2	12	9	-	375	280	2	1/8	15/32	11/32	-	825	620	0.1
RF1806	4.0	16	10	-	800	600	5	5/32	5/8	13/32	-	1760	1320	0.2
RF616	4.8	18	11	-	1200	800	15	3/16	23/32	7/16	-	2640	1760	0.5
RF617	6.4	22	14	-	2300	1400	25	1/4	7/8	9/16	-	5070	3090	0.9
RF617H*2	6.4	22	14	-	2300	1400	25	1/4	7/8	9/16	-	5070	3090	0.9
RF618	7.9	29	16	-	3600	2700	50	5/16	1 5/32	5/8	-	7940	5950	1.8
RF618H*2	7.9	29	16	-	3600	2700	50	5/16	1 5/32	5/8	-	7940	5950	1.8
RF619*2	9.5	38	17	-	5400	3600	80	3/8	1 1/2	21/32	-	11900	7940	2.8
RF620*2	12.7	42	19	-	7700	7500	130	1/2	1 31/32	3/4	-	16980	16530	4.6
RF1035	15.9	47	25	-	14000	11000	280	5/8	1 25/32	1	-	30860	24250	9.9
<b>Long D</b>														
RF621	4.0	26	10	-	800	600	10	5/32	1 1/32	13/32	-	1760	1320	0.4
RF622	4.8	31	11	-	1200	800	15	3/16	1 7/32	7/16	-	2640	1760	0.5
RF623	6.4	44	15	-	2300	1400	30	1/4	1 21/32	19/32	-	5070	3090	1.1
RF624	7.9	55	17	-	3600	2700	60	5/16	2 5/32	21/32	-	7940	5950	2.1
RF625*2	9.5	60	17	-	5400	3600	90	3/8	2 3/8	21/32	-	11900	7940	3.2
RF626*2	12.7	72	18	-	7700	7500	155	1/2	2 27/32	23/32	-	16980	16530	5.5
<b>Wide</b>														
RF1850S	3.2	11	13	-	500	280	2	1/8	7/16	1/2	-	1100	620	0.1
RF1852	4.8	29	20	-	1200	700	15	3/16	1 5/32	25/32	-	2640	1540	0.5
RF1853	6.4	39	31	-	2300	1100	26	1/4	1 17/32	1 7/32	-	5070	2430	0.9
RF639	7.9	51	28	-	3400	1700	70	5/16	2	1 3/32	-	7480	3740	2.5
RF640	9.5	56	29	-	5400	3600	95	3/8	2 7/32	1 5/32	-	11900	7940	3.4
RF641*2	12.7	68	33	-	7700	5500	170	1/2	2 11/16	1 5/16	-	16980	12130	6.0
<b>Twisted</b>														
RF627	4.0	23	9	-	800	600	5	5/32	29/32	11/32	-	1760	1320	0.2
RF628	4.8	28	10	-	1200	800	15	3/16	1 3/32	13/32	-	2640	1760	0.5
RF629	6.4	39	13	-	2300	1400	30	1/4	1 17/32	1/2	-	5070	3090	1.1
RF630	7.9	48	16	-	3600	2700	65	5/16	1 7/8	5/8	-	7940	5950	2.3
RF631*2	9.5	54	19	-	5400	3600	90	3/8	2 1/8	3/4	-	11900	7940	3.2
RF632*2	12.7	65	19	-	7700	7500	165	1/2	2 9/16	3/4	-	16980	16530	5.8
<b>Bow</b>														
RF613S*3	3.0	12	9	6.4	550	280	3	1/8	15/32	11/32	1/4	1210	620	0.1
RF633	4.0	15	17	11.0	800	600	5	5/32	9/16	9/16	7/16	1760	1320	0.2
RF634	4.8	18	14	13.0	1200	800	10	3/16	23/32	9/16	1/2	2640	1760	0.4
RF635	6.4	21	19	16.0	2300	1400	20	1/4	13/16	3/4	5/8	5070	3090	0.7
RF636	7.9	27	22	16.0	3600	2700	45	5/16	1 1/16	7/8	5/8	7940	5950	1.6
RF638*2	7.9	27	22	16.0	3600	2700	45	5/16	1 1/16	7/8	5/8	7940	5950	1.6
RF637*2	9.5	52	36	21.0	5400	3600	90	3/8	2 1/16	1 13/32	13/16	11900	7940	3.2

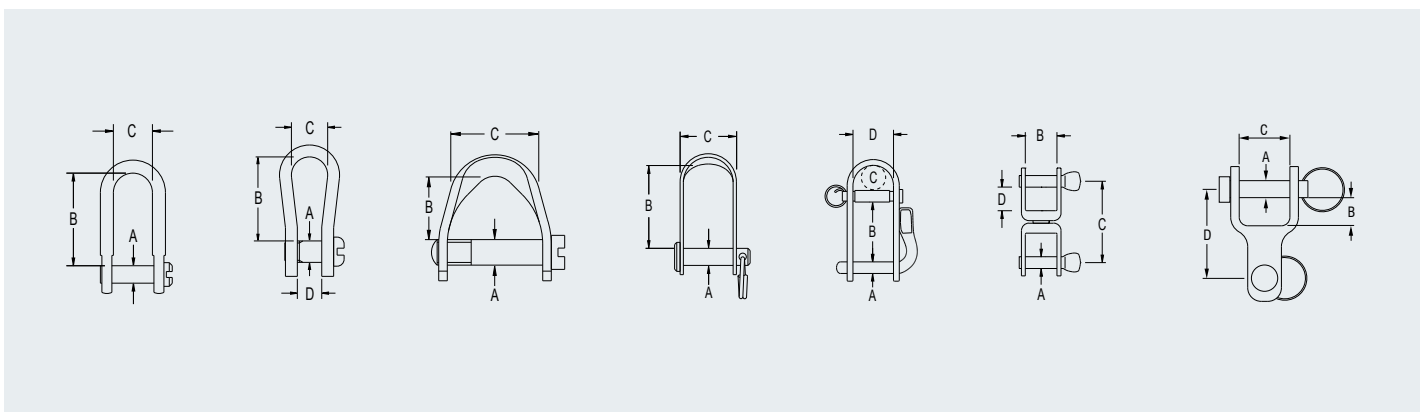
\*1 UD.L. BL - The "Uniformly Distributed Load" breaking load of the shackle; the load is applied across the full span of the shackle pin.  
 PL BL - The "Point Load" breaking load of the shackle; the load is only applied at the centre or one side of the shackle pin.

\*2 Shackle pins drilled for seizing wire.

\*3 RF613S has a slotted head.



- ✔ Slotted head shackle pins are low profile to prevent snagging on ropes etc.
- ✔ Lightweight clevis pin shackles use a split ring for security.
- ✔ Halyard shackles have a lever action for easy finger opening and closing. They also have a keyed pin for pin retention and spring engagement to retain pin in closed position.
- ✔ RF1320R shackle key suits both coined and slotted shackle pins, and small nylon-insert nuts.
- ✔ Grade 316 stainless steel bodies and pins.



PRODUCT No.	A	B	C	D	U.D.L.*1	P.L.*1	WEIGHT	A	B	C	D	U.D.L.*1	P.L.*1	WEIGHT	
	mm	mm	mm	mm	B.L. kg	B.L. kg		in	in	in	in	B.L. lb	B.L. lb		oz
<b>Slotted Pin</b>															
RF615	4.0	16.0	10.0	-	850	650	5	5/32	5/8	13/32	-	1870	1430	0.2	
RF615A	4.0	13.0	8.0	-	850	700	7	5/32	1/2	5/16	-	1870	1540	0.2	
RF150	4.8	18.0	12.0	-	1500	900	10	3/16	23/32	15/32	-	3300	1980	0.4	
RF806S	4.8	11.5	16.0	-	950	700	10	3/16	7/16	5/8	-	2090	1540	0.4	
RF707S	4.8	17.0	18.0	-	1200	700	10	3/16	21/32	23/32	-	2640	1540	0.4	
RF614	4.8	19.0	10.0	5.0	1300	1300	5	3/16	13/32	3/8	3/16	2860	2860	0.2	
RF151	6.4	22.0	16.0	-	2300	1400	20	1/4	7/8	5/8	-	5070	3090	0.7	
RF152	7.9	29.0	17.0	-	3600	2700	45	5/16	1 5/32	21/32	-	7940	5950	1.6	
<b>Lightweight Clevis Pin</b>															
RF807	4.8	20.0	14.0	-	700	-	10	3/16	25/32	9/16	-	1540	-	0.4	
<b>Halyard</b>															
RF1032	4.8	22.0	10.0	15.0	1200	900	30	3/16	7/8	13/32	19/32	2650	1980	1.1	
RF1033	6.4	32.0	13.0	19.0	1800	1400	55	1/4	1 1/4	1/2	3/4	3960	3080	1.9	
RF1034	7.9	39.0	18.5	20.0	2200	1800	90	5/16	1 17/32	23/32	25/32	4840	3960	3.2	
<b>Swivel</b>															
RF576	4.0	10.0	22.0	6.0	500	350	10	5/32	13/32	7/8	15/64	1100	770	0.4	
RF120	4.8	12.0	32.0	8.7	650	650	20	3/16	15/32	1 1/4	11/32	1430	1430	0.7	
RF173	6.4	15.0	42.0	11.9	1100	700	40	1/4	19/32	1 21/32	19/32	2420	1540	1.4	
RF75*2	7.9	17.0	60.0	15.8	2300	2100	15	5/16	21/32	2 3/8	5/8	5070	4620	0.5	
<b>Two-Way Link</b>															
RF815	5.0	5.2	10.0	19.0	1100	900	14	3/16	7/32	13/32	3/4	2425	1980	0.5	
RF816	6.0	6.7	12.2	22.6	1200	1000	21	1/4	1/4	15/32	7/8	2650	2200	0.7	
<b>Shackle Key</b>															
RF1320R	Shackle key and multi-purpose tool. Suits coined and slotted head shackle pins. Features sockets for 3/16" & 1/4" nuts. Screwdriver tip. Hollow end ideal for tightening drain plugs. Red plastic grip handle.						90								3.2

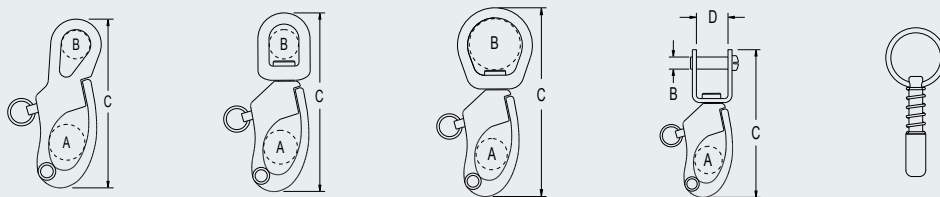
\*1 UDL BL - The "Uniformly Distributed Load" breaking load of the shackle; the load is applied across the full span of the shackle pin.  
 PL BL - The "Point Load" breaking load of the shackle; the load is only applied at the centre or one side of the shackle pin.  
 \*2 RF75 swivel shackle has stainless steel ball bearings.



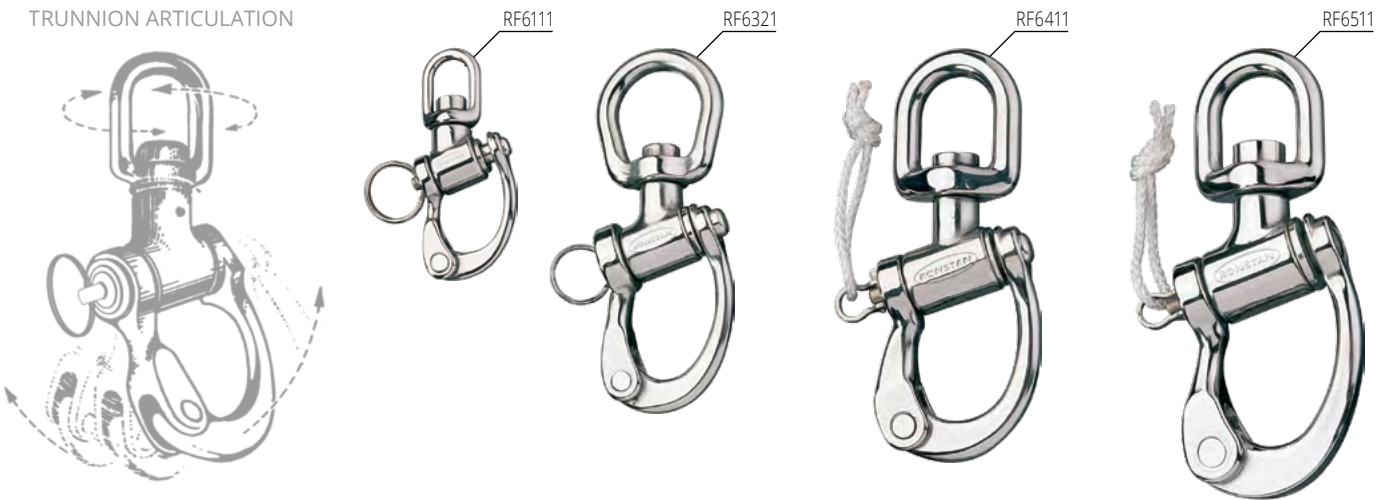
- ✔ Fixed or swivel heads.
- ✔ Heavy duty plunger springs and precision components ensure dependable service.
- ✔ Body and hasp profiles are designed for easy clearance of lines and fittings when released.
- ✔ High strength-to-weight ratio.
- ✔ Stainless steel is used throughout for excellent corrosion resistance.
- ✔ Split ring on plunger pin is spot welded for security.
- ✔ A lanyard can be attached to the plunger pin for easy opening.
- ✔ RF6170 is a snap shackle adapter for blocks with a 5mm (3/16") pin.
- ✔ Grade 15-5PH investment cast stainless steel body and hasp.
- ✔ Grade 316 stainless steel plunger pin and spring.

**Replacement Plunger Pin Kits**

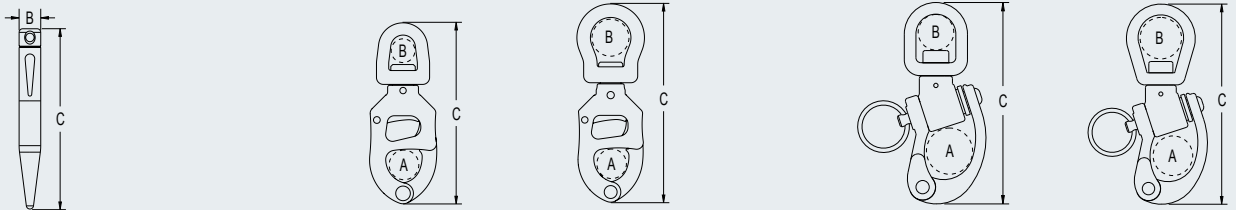
RF6160	Suits RF6110, RF6120, RF6130, RF6170
RF6161	Suits RF6100, RF6111
RF6260	Suits RF6200
RF6262	Suits RF6210, RF6220, RF6230, RF6230A
RF6360	Suits RF6310, RF6320, RF6321
RF6361	Suits RF6300
RF6461	Suits RF6411
RF6561	Suits RF6511



PRODUCT No.	HEAD TYPE	A mm	B mm	C mm	D mm	M.W.L. kg	B.L. kg	WEIGHT g	A in	B in	C in	D in	M.W.L. lb	B.L. lb	WEIGHT oz
<b>Series 80</b>															
RF6080	Fixed bail	6.2	4.7	32	-	75	150	10	1/4	3/16	1 1/4	-	165	330	0.4
<b>Series 100</b>															
RF6100	Fixed bail	16	15.0	66	-	1000	2000	43	5/8	19/32	2 19/32	-	2205	4410	1.5
RF6110	Small swivel bail	16	10.0	69	-	850	1700	50	5/8	13/32	2 23/32	-	1875	3750	1.8
RF6120	Large swivel bail	16	13.0	73	-	750	1500	57	5/8	1/2	2 7/8	-	1655	3310	2.0
RF6130	Swivel shackle	16	6.4	72	13	750	1500	64	5/8	1/4	2 27/32	1/2	1655	3310	2.3
RF6170	Block head adapter	16	5.0	60	-	500	1000	49	5/8	3/16	2 3/8	-	1105	2210	1.7
<b>Series 200</b>															
RF6200	Fixed bail	20	19.0	85	-	1100	2200	100	13/16	3/4	3 11/32	-	2425	4850	3.5
RF6210	Small swivel bail	16	16.0	92	-	1600	3200	113	5/8	5/8	3 5/8	-	3530	7060	4.0
RF6220	Large swivel bail	16	25.0	101	-	1100	2200	120	5/8	1	3 31/32	-	2425	4850	4.2
RF6230	Swivel shackle	16	7.9	95	17.5	1100	2200	120	5/8	5/16	3 3/4	11/16	2425	4850	4.2
<b>Series 300</b>															
RF6300	Fixed bail	26	19.0	100	-	2000	4000	155	1 1/32	3/4	3 15/16	-	4410	8820	5.5
RF6310	Small swivel bail	26	16.0	110	-	1800	3600	142	1 1/32	5/8	4 11/32	-	3970	7940	5.0
RF6320	Large swivel bail	26	26.0	122	-	1350	2700	170	1 1/32	1 1/32	4 3/4	-	2975	5950	6.0


**TRUNNION ARTICULATION**


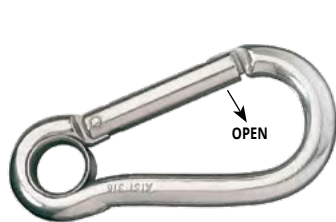
- ✔ Trunnion swivel head allows both 360° rotation and side to side articulation.
- ✔ Small and large bail versions
- ✔ RF1322 release spike with shackle key for safe release of Triggersnaps™ while under load.
- ✔ Triggersnaps™ are stamped with a production code for traceability.
- ✔ Triggersnaps™ are individually proof-load tested.
- ✔ Heat treated grade 15-5PH investment cast stainless steel body, bail, latch and trigger.
- ✔ Grade 316 stainless steel rivets and spring.



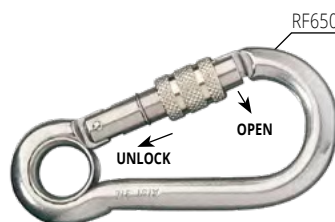
PRODUCT No.	HEAD TYPE	A	B	C	M.W.L.	B.L.	WEIGHT	A	B	C	M.W.L.	B.L.	WEIGHT
		mm	mm	mm	kg	kg	g	in	in	in	lb	lb	oz
<b>Triggersnaps™</b>													
RF7110	Series 100, small swivel bail	14	9	80	1000	2000	60	9/16	11/32	3 5/32	2205	4410	2.1
RF7120	Series 100, large swivel bail	14	18	89	1000	2000	66	9/16	23/32	3 1/2	2205	4410	2.3
RF7210	Series 200, small swivel bail	16	13	97	1600	3200	106	5/8	1/2	3 13/16	3530	7060	3.7
RF7220	Series 200, large swivel bail	16	22	108	1600	3200	116	5/8	7/8	4 1/4	3530	7060	4.1
RF7310	Series 300, small swivel bail	19	16	114	2400	4800	170	3/4	5/8	4 1/2	5290	10580	6.0
RF7320	Series 300, large swivel bail	19	25	123	2400	4800	194	3/4	31/32	4 27/32	5290	10580	6.8
RF1322	Aluminium alloy release spike with shackle key	-	18	150	-	-	78	-	23/32	5 29/32	-	-	2.8

**Trunnion Snap Shackles**

RF6111	Series 100, small swivel bail	16	10	70	750	1500	57	5/8	13/32	2 3/4	1655	3310	2.0
RF6321	Series 300, large swivel bail	26	26	122	1350	2700	198	1 1/32	1 1/32	4 13/16	2975	5950	7.0
RF6411	Series 400, small swivel bail	32	25	137	3000	6000	369	1 1/4	1	5 13/32	6615	13230	13.0
RF6511	Series 500, small swivel bail	36	22	150	3750	7500	454	1 13/32	7/8	5 29/32	8270	16540	16.0



CARABINER HOOKS, NON-LOCKING



CARABINER HOOK, LOCKING



ROUND RINGS

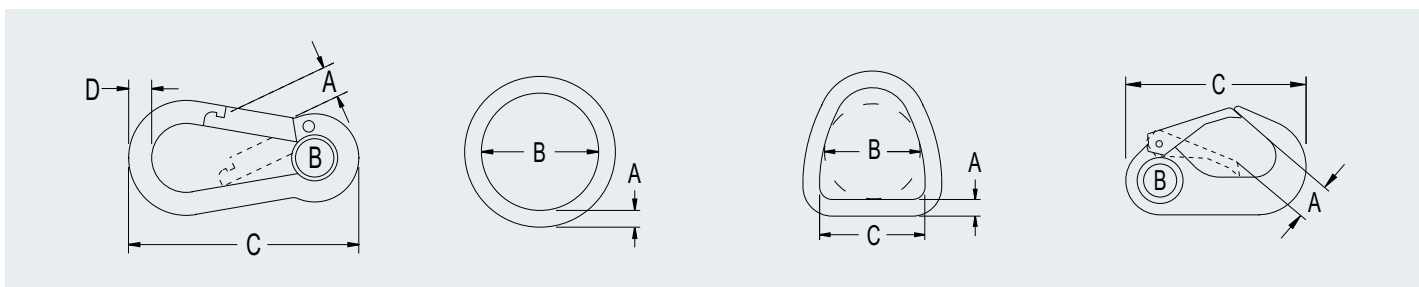


D-RING



SNAP HOOK

- ✔ Carabiner hooks have ferrule lined eyes to retain the fixed line.
- ✔ RF650 carabiner hook opens inwards and has a threaded locking sleeve for added security.
- ✔ Quick links have large openings and secure threaded locking sleeves.
- ✔ RF16 D-ring suits use with 50mm (2") webbing.



PRODUCT No.	TYPE	A mm	B mm	C mm	D mm	M.W.L. kg	B.L. kg	WEIGHT g	A in	B in	C in	D in	M.W.L. lb	B.L. lb	WEIGHT oz	
<b>Carabiner Hooks - Non-Locking</b>																
RF2355	Carabiner Hook 60mm	8.0	6.0	60	6	-	120	30	5/16	1/4	2 3/8	1/4	-	260	1.1	
RF652	-	11.0	11.0	80	8	-	800	68	7/16	7/16	3 1/8	5/16	-	1760	2.4	
RF653	-	15.0	11.0	100	10	-	1200	129	19/32	7/16	3 15/16	13/32	-	2640	4.6	
<b>Carabiner Hook - Threaded Locking Sleeve</b>																
RF650	-	13.0	14.0	100	10	-	1200	134	17/32	17/32	3 15/16	13/32	-	2640	4.7	
<b>Rings</b>																
RF122	Round	4.0	38.0	-	-	200	1000	12	5/32	1 1/2	-	-	440	2200	0.4	
RF123	Round	5.0	25.4	-	-	600	1500	14	3/16	1	-	-	1320	3310	0.5	
RF48	Round	6.0	25.4	-	-	1000	2000	15	1/4	1	-	-	2200	4410	0.5	
RF124	Round	6.0	38.0	-	-	750	2000	40	1/4	1 1/2	-	-	1650	4410	1.4	
RF125	Round	8.0	42.5	-	-	1000	2500	55	5/16	1 5/8	-	-	2200	5510	1.9	
RF16	D-ring	8.0	45.0	50	-	500	1000	75	5/16	1 3/4	2	-	1100	2200	2.7	
<b>Snap Hook</b>																
RF533	-	10.0	9.0	51	-	180	360	25	13/32	11/32	2	-	395	790	0.9	



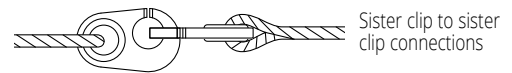
**SWIVELS**  
See page 203 for swivel shackles

**S-HOOKS**

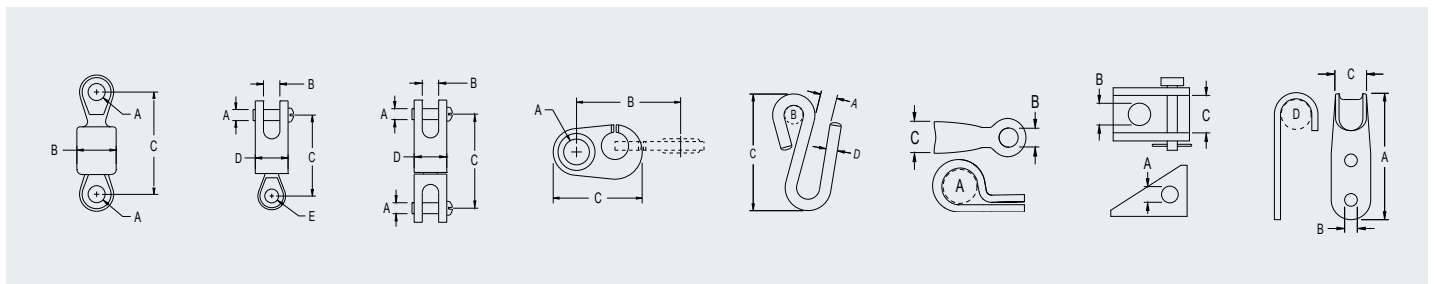
**BECKETTS**

**SISTER CLIPS**

⬆ Swivels are used in conjunction with blocks and rigging systems to provide articulation and rotation (not suitable for high speed rotating applications).



Sister clip to sister clip connections

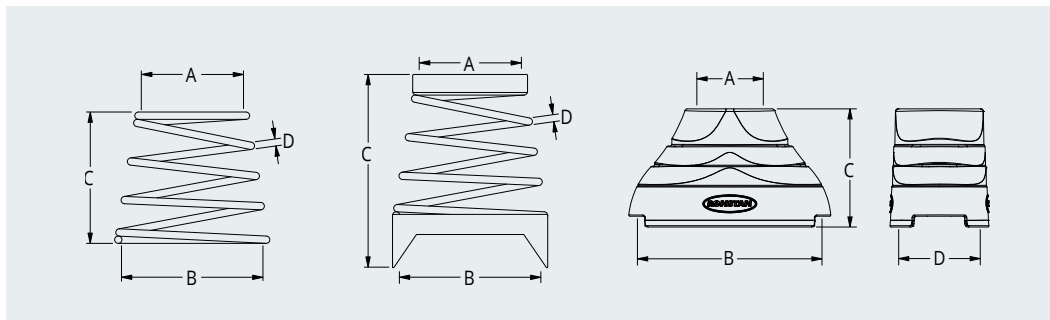


PRODUCT No.	TYPE	A	B	C	D	E	B.L.	WEIGHT	A	B	C	D	E	B.L.	WEIGHT
		mm	mm	mm	mm	mm	kg	g	in	in	in	in	in	lb	oz
<b>Swivels - Ball Bearing</b>															
RF78*		8.1	19.1	51.8	-	-	1000	65	5/16	3/4	2 3/32	-	-	2200	2.3
RF78A		6.4	9.6	54.0	19.0	-	1700	80	1/4	3/8	2 1/8	3/4	-	3740	2.8
RF78B*		6.4	9.6	44.3	19.0	8.1	1700	60	1/4	3/8	1 3/4	3/4	5/16	3740	2.1
RF79		7.9	12.7	89.8	25.1	16.0	2600	190	5/16	1/2	3 17/32	1	5/8	5720	6.7
<b>Sister Clips</b>															
RF536		7.0	27.0	24.0	-	-	70	5	9/32	1 1/16	15/16	-	-	150	0.2
RF89		10.0	43.0	37.0	-	-	250	10	13/32	1 11/16	1 7/16	-	-	550	0.4
RF2665		15.0	60.0	58.0	-	-	1800	81	19/32	2 3/8	2 1/4	-	-	3960	2.9
<b>S-Hooks</b>															
RF50		10.0	6.8	44.0	4.8	-	250	14	13/32	1/4	1 3/4	3/16	-	550	0.5
RF48A		10.0	9.0	62.0	6.0	-	400	35	13/32	11/32	2 7/16	1/4	-	880	1.2
RF49		12.0	11.0	76.0	8.0	-	600	65	15/32	7/16	3	5/16	-	1320	2.3
RF51		15.0	16.0	87.0	9.5	-	800	110	19/32	5/8	3 7/16	3/8	-	1760	3.9
<b>Becketts</b>															
RF88	Hook becket	50.5	5.0	13.5	8.0	-	-	13	2	3/16	17/32	5/16	-	-	0.5
RF1050	Eye becket	8.0	5.0	9.0	-	-	-	6	5/16	3/16	11/32	-	-	-	0.2
RF1051	Eye becket	8.0	6.0	9.0	-	-	-	6	5/16	1/4	11/32	-	-	-	0.2
RF1052	Fork becket / block anchor	5.0	5.0	11.5	-	-	-	9	3/16	3/16	7/16	-	-	-	0.3
RF1053	Fork becket / block anchor	5.0	6.0	14.0	-	-	-	9	3/16	1/4	9/16	-	-	-	0.3

\*Eye thickness = 6.4mm (1/4")



2 x 5mm (3/16")



- ✓ RF324, RF324-2, RF324-3, RF328 include top and bottom acetal collars.
- ⚙ Springs and boots are used to support blocks in an upright position.
- 🔩 Grade 316 stainless steel springs.

PRODUCT No.	DESCRIPTION	A	B	C	D	WEIGHT	A	B	C	D	WEIGHT
		mm	mm	mm	mm	g	in	in	in	in	oz
RF318*1	Stand-up spring, suits Series 15 and Series 20 Utility blocks with saddle RF498	16	23	22	1	3	5/8	7/8	7/8	1/32	0.1
RF319	Stand-up spring	16	16	32	2	3	5/8	5/8	1 1/4	3/32	0.1
RF321*1	Stand-up spring, suits Series 40 Utility blocks (use saddle RF134 or RF134A) or Series 50 (use saddle RF1055)	16	24	41	2	9	5/8	15/16	1 5/8	3/32	0.3
RF323*1	Stand-up spring, suits Series 30 Utility blocks and Orbit Blocks™ with saddle RF134/RF134A	19	25	32	1	4	3/4	1	1 1/4	1/32	0.1
RF324	Stand-up spring, suits Series 60 & 75 Core Blocks™ and Orbit Blocks™ with padeye RF2433-09	20	30	81	4	80	3/4	1 3/16	3 3/16	5/32	2.8
RF324-2	Stand-up spring, suits Series 60 & 75 Core Blocks™ and Orbit Blocks™, S26 & S30 traveller cars	20	38	89	4	60	3/4	1 1/2	3 1/2	5/32	2.1
RF324-3*2	Stand-up spring, suits Series 60, 75 & 100 Core Blocks™ and Orbit Blocks™, S26 traveller cars	20	38	94	4	60	3/4	1 1/2	3 11/16	5/32	2.1
RF328	Stand-up spring, suits S100 Orbit Blocks™ with padeye RF2429-10	47	72	95	4	120	1 7/8	2 7/8	3 3/4	5/32	4.2

Stand-Up Bases & Boots		A	B	C	D	WEIGHT	A	B	C	D	WEIGHT
		mm	mm	mm	mm	g	in	in	in	in	oz
RF2454	Stand-up base, suits S40 Orbit Blocks™ - includes RF134 stainless steel saddle	17	42	28	19	11	5/8	1 5/8	1 1/8	3/4	0.4
RF2455	Stand-up base, suits S55 Orbit Blocks™ - includes RF1055 stainless steel saddle	20	53	35	23	26	3/4	2 1/8	1 3/8	15/16	0.9
RF2454B	Stand-up boot, suits S40 Orbit Blocks™ - boot only	17	42	28	19	6	5/8	1 5/8	1 1/8	3/4	0.2
RF2455B	Stand-up boot, suits S55 Orbit Blocks™ - boot only	20	53	35	23	11	3/4	2 1/8	1 3/8	15/16	0.4

\*1Tapered spring.  
\*2 Suits no end cap version Series 26 traveller cars.



PADEYES



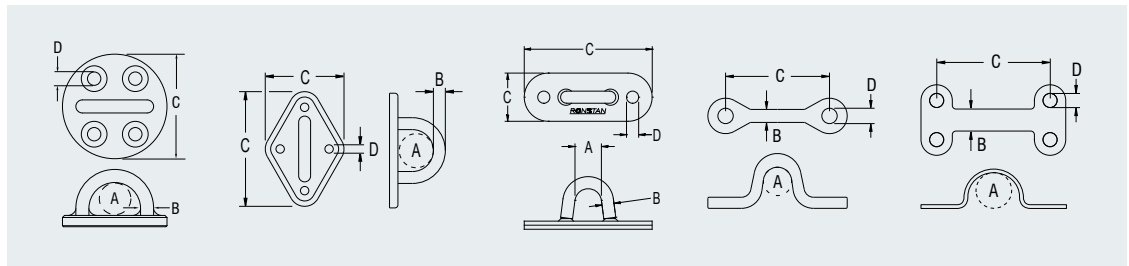
SADDLES - NARROW

SADDLES - FLARED TOP

SADDLE - FLARED TOP

SADDLES - FERRULE EYE

- Grade 316 stainless steel.
- RF2429-xx - Grade 15-5PH stainless steel.



PRODUCT No.	DESCRIPTION	A mm	B mm	C mm	D mm	B.L. kg	WEIGHT g	A in	B in	C in	D in	B.L. lb	WEIGHT oz
<b>Padeyes - Fixed, Round</b>													
RF2429-02	2 mounting holes	7.2	5.0	34.0	6.4	1500*2	26	9/32	3/16	1 5/16	1/4	3310*2	0.9
RF2429-06	4 mounting holes	16.0	7.3	50.0	6.4	4000*2	82	5/8	5/16	2	1/4	8800*2	2.9
RF2429-08	4 mounting holes	17.2	10.0	57.7	8.3	6000*2	127	43/64	25/64	2 1/4	21/64	13200*2	4.5
RF2429-10	4 mounting holes	21.1	11.5	72.3	10.2	9000*2	240	53/64	7/16	2 3/4	13/32	19800*2	8.5
<b>Padeyes - Fixed, Diamond Base</b>													
RF87	Straight sided, concave underside	10.0	5.0	51 x 19	5.1	-	15	3/8	3/16	2 x 3/4	3/16	-	0.5
RF529*	Includes nylon mounting pad	18.0	8.0	75 x 51	6.4	2000	100	23/32	5/16	3 x 2	1/4	4400	4.0
RF415	Includes nylon mounting pad	21.0	8.0	75 x 51	5.0	1000	75	13/16	5/16	3 x 2	3/16	2200	2.7
RF44	Includes nylon mounting pad	22.0	11.0	94 x 60	6.7	2000	130	7/8	7/16	3 11/16 x 2 3/8	1/4	4400	4.6
RF416		25.0	6.4	83 x 35	4.8	800	40	1	1/4	3 1/4 x 1 3/8	3/16	1760	1.4
<b>Saddles - Narrow</b>													
RF133		9.0	4.0	27.0	4.8	-	2	3/8	5/32	1 1/16	3/16	-	0.1
RF134		14.0	5.1	36.6	5.1	-	5	9/16	3/16	1 7/16	3/16	-	0.2
RF134A	Countersunk holes	14.0	5.1	36.6	5.0	-	5	9/16	3/16	1 7/16	3/16	-	0.2
RF498		12.0	3.2	27.7	4.3	-	4	15/32	1/8	1 3/32	5/32	-	0.1
RF528		12.0	6.8	44.5	8.1	-	25	15/32	9/32	1 23/32	5/16	-	0.9
RF1054		18.0	7.0	60.0	8.4	-	35	23/32	9/32	2 3/8	5/16	-	1.2
RF1055		16.0	5.8	43.0	6.6	-	15	5/8	7/32	1 11/16	1/4	-	0.5
<b>Saddles - Flared Top</b>													
RF94		6.0	9.0	27.0	5.0	-	3	1/4	11/32	1 1/16	3/16	-	0.1
RF94A		5.0	5.8	29.0	5.0	-	3	3/16	7/32	1 1/8	3/16	-	0.1
RF96		10.0	8.3	29.0	6.4	-	5	3/8	5/16	1 1/8	1/4	-	0.2
RF148		15.0	11.0	40.0	6.5	-	8	9/32	7/16	1 5/8	1/4	-	0.3
RF291		12.0	9.0	31.8	5.3	-	7	1/2	11/32	1 1/4	3/16	-	0.2
RF4714	4 fixing points	9.0	8.0	32.0 / 19.5	5.0	-	9	11/32	5/16	1 1/4 / 3/4	3/16	-	0.3
RF5003		7.0	9.0	27.0	5.0	-	4	1/4	3/8	1 1/16	3/16	-	0.1
RF5013		15.0	12.5	38.1	5.0	-	8	5/8	1/2	1 1/2	3/16	-	0.3
RF5023		18.0	14.0	51.0	6.6	-	11	3/4	9/16	2	1/4	-	0.4
<b>Saddles - Ferrule Eye</b>													
RF499		9.4	4.9	27.7	4.3	-	4	3/8	3/16	1 3/32	5/32	-	0.1
RF1056		16.3	8.8	60.0	8.4	-	40	5/8	5/16	2 3/8	5/16	-	1.4
RF1057		13.0	6.8	45.7	6.6	-	18	1/2	1/4	1 3/4	1/4	-	0.6
RF1058		10.0	9.0	36.6	5.1	-	11	3/8	11/32	1 7/16	3/16	-	0.4

\* Turned U-Bolt with a pad eye base. Thread size is 6.4mm (1/4" UNC). Suits maximum deck thickness of 22mm (7/8")  
 \*\* A4-80 DIN7991 grade fasteners recommended to achieve BL





© Sport Sailing Photography



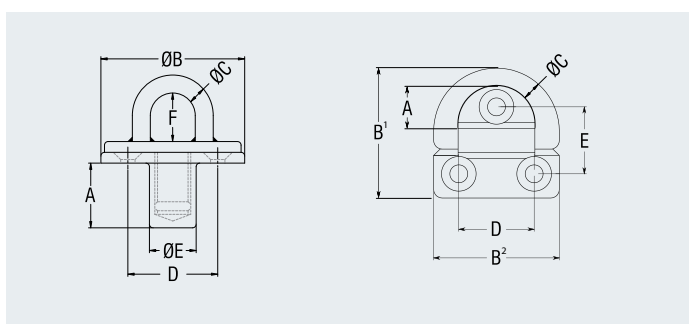
REMOVABLE

- RF2433-09 4 X M6
- RF2433-10 4 X M8



FOLDING

- RF2436-06 3 X M6
- RF2436-08 3 X M8
- RF2436-10 3 X M10



- ✔ Screw in, removable padeyes allow the block and padeye to be easily removed when not in use.
- ✔ Integral threaded plug in removable padeyes prevents grit from entering the threaded socket when the padeye is removed.
- ✔ Folding padeyes provide a low profile solution with the eye pivoting upright when required for use.
- ✔ Hand-polished finish.
- ✔ Grade 316 stainless steel.

PRODUCT No.	DESCRIPTION	A	B	C	D	E	F	M.W.L.	B.L.*3	WEIGHT	A	B	C	D	E	F	M.W.L.	B.L.*3	WEIGHT
		mm	mm	mm	mm	mm	mm	kg	kg	g	in	in	in	in	in	in	in	lb	lb
<b>Padeyes</b>																			
RF2433-09	Removable	30	55	9.0	38.0	14	23	2000	4000	285	1 3/16	2 5/32	11/32	1 1/2	9/16	29/32	4410	8820	10.1
RF2433-10	Removable	32	72	10.0	99.5	19	30	2500	5000	550	1 1/4	2 27/32	13/32	1 15/16	3/4	13/16	5510	11020	19.4
RF2436-06	Folding	13.5*1	46.5 x 45*2	7.7	27.0	24	-	1100	2200	74	1/2*1	1 7/8 x 1 13/16*2	5/16	1 1/16	-	-	2420	4840	2.6
RF2436-08	Folding	18.5*1	61 x 59*2	10.4	35.0	29.5	-	2000	4000	172	11/16*1	2 7/16 x 2 3/8*2	7/16	1 3/8	1 5/32	-	4400	8800	6.1
RF2436-10	Folding	23.5*1	77 x 75*2	13.2	45.0	39	-	3650	7300	356	7/8*1	3 1/16 x 3*2	9/16	1 3/4	1 17/32	-	8030	16060	12.6

\*1 Eye clearance when upright.  
 \*2 B<sup>1</sup> x B<sup>2</sup>  
 \*3 A4-80 DIN7991 grade fasteners recommended to achieve BL





RING BOLTS



EYE BOLTS



U-BOLTS - STEPPED



RF5270  
RF5271  
RF5272



RF5280

ANCHOR BOLTS



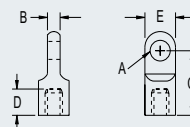
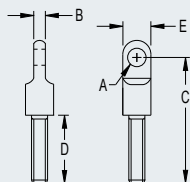
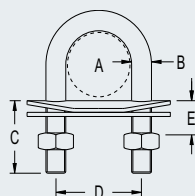
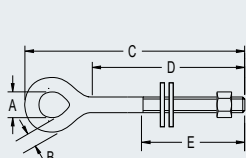
RF5290  
RF5292-M6  
RF5292-M8

✔ Eye bolts and ring bolts are supplied with washers and a nut.

✔ U-bolts are supplied with a top plate, backing plate and nuts.

✔ RF5280 is supplied with a washer and nut.

✔ Grade 316 stainless steel.



PRODUCT No.	THREAD TYPE	A mm	B mm	C mm	D mm	E mm	WEIGHT g	A in	B in	C in	D in	E in	WEIGHT oz
<b>Ring Bolts</b>													
RF26	1/4 UNC	25	5.0	63	25	20	35	1	3/16	2 1/2	1	3/4	1.2
RF424	1/4 UNC	25	5.0	90	51	22	40	1	3/16	3 1/2	2	7/8	1.4

PRODUCT No.	THREAD TYPE	A mm	B mm	C mm	D mm	E mm	WEIGHT g	A in	B in	C in	D in	E in	WEIGHT oz
<b>Eye Bolts</b>													
RF156	3/16 UNC	10	4.0	76	51	38	10	13/32	5/32	3	2	1 1/2	0.4
RF157	3/16 UNC	10	4.0	100	75	51	15	13/32	5/32	4	3	2	0.5
RF159	1/4 UNC	12	5.5	81	51	38	25	15/32	7/32	3 3/16	2	1 1/2	0.9
RF160	1/4 UNC	12	5.5	108	76	51	30	15/32	7/32	4 1/4	3	2	1.1
RF161	1/4 UNC	12	5.5	132	102	51	35	15/32	7/32	5 3/16	4	2	1.2
RF162	1/4 UNC	12	5.5	160	127	51	40	15/32	7/32	6 5/16	5	2	1.4
RF163	1/4 UNC	12	5.5	180	152	51	50	15/32	7/32	7	6	2	1.8
RF164	5/16 UNC	13	7.0	111	76	51	60	1/2	9/32	4 3/8	3	2	2.1
RF165	5/16 UNC	13	7.0	139	102	51	65	1/2	9/32	5 1/3	4	2	2.3
RF166	5/16 UNC	13	7.0	162	127	51	75	1/2	9/32	6 3/8	5	2	2.7
RF167	5/16 UNC	13	7.0	187	152	51	80	1/2	9/32	7 3/8	6	2	2.8
RF168	3/8 UNC	17	8.5	116	76	51	80	21/32	11/32	4 1/2	3	2	2.8
RF169	3/8 UNC	17	8.5	140	102	51	90	21/32	11/32	5 1/2	4	2	3.2
RF170	3/8 UNC	17	8.5	167	127	51	100	21/32	11/32	6 5/8	5	2	3.5
RF171	3/8 UNC	17	8.5	193	152	51	110	21/32	11/32	7 5/8	6	2	3.9

PRODUCT No.	THREAD TYPE	A mm	B mm	C mm	D mm	E mm	WEIGHT g	A in	B in	C in	D in	E in	WEIGHT oz
<b>Anchor Bolts &amp; Nuts</b>													
RF5270	1/4 UNF	6.4	4.8	50.0	27	14.4	19	1/4	3/16	1 31/32	1 1/16	9/16	0.7
RF5271	1/4 UNF	6.4	4.8	77.0	54	14.4	27	1/4	3/16	3	2 1/8	9/16	1.0
RF5272	M6	6.1	4.8	22.5	9	14.4	18	1/4	3/16	7/8	11/32	9/16	0.7
RF5280	1/4 UNF	6.4	4.8	50.0	27	14.4	26	1/4	3/16	1 31/32	1 1/16	9/16	0.9
RF5290	1/4 UNF	6.4	4.8	22.5	8	14.4	12	1/4	3/16	7/8	5/16	9/16	0.4
RF5292-M6	M6	6.4	4.8	22.5	8	14.4	12	1/4	3/16	7/8	5/16	9/16	0.4
RF5292-M8	M8	6.4	4.8	22.5	8	14.4	12	1/4	3/16	7/8	5/16	9/16	0.4

PRODUCT No.	THREAD TYPE	A mm	B mm	C mm	D mm	E mm	WEIGHT g	A in	B in	C in	D in	E in	WEIGHT oz
<b>U-Bolts - Stepped</b>													
RF559	1/4 UNC	24	8.0	38	25.5	6	70	15/16	5/16	1 1/2	3/4	1/4	2.5
RF543	5/16 UNC	26	9.5	25	35.0	4	95	1	3/8	31/32	1 3/8	5/32	3.4
RF541	5/16 UNC	26	9.5	38	35.0	7	105	1	3/8	1 1/2	1 3/8	9/32	3.7
RF544	5/16 UNC	26	9.5	52	35.0	7	110	1	3/8	2 1/16	1 3/8	9/32	3.9
RF547	5/16 UNC	26	9.5	76	35.0	29	130	1	3/8	3	1 3/8	1 3/32	4.6
RF548	5/16 UNC	26	9.5	102	35.0	55	150	1	3/8	4 1/32	1 3/8	2 5/32	5.3
RF549	5/16 UNC	26	9.5	128	35.0	69	170	1	3/8	5 1/32	1 3/8	2 3/4	6.0