

XR CLUTCHES

XTREME RELEASE FUNCTION



CLUTCH CLOSED

Clutch Position closed
Held shut with the stop clip



CLUTCH ENGAGED

Clutch still holding rope with
lever in release position, ready
to give maximum leverage



CLUTCH DISENGAGED

Clutch cam open with rope able
to run free

LINE CONTROLS

XR1 CLUTCH RANGE



HT95081



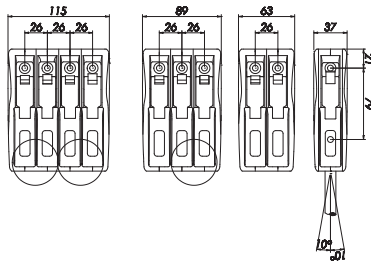
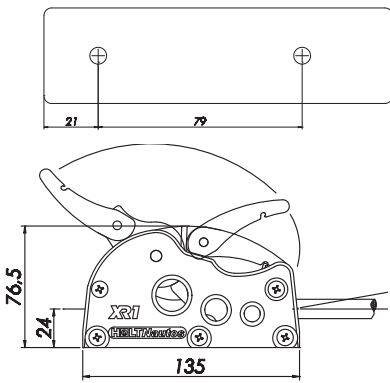
HT95082



HT95084



HT95085



Hole fixing centres match other brands, allowing easy upgrade to the XR Clutches

Part No.	Description	Line Size (mm)	Max SWL (kg)	Hole Centres (mm)
HT95081	Single	6-12	550	79
HT95082	Double	6-12	550	79
HT95084	Triple	6-12	550	79
HT95085	Quad	6-12	550	79

XR2 CLUTCH RANGE



HT95086



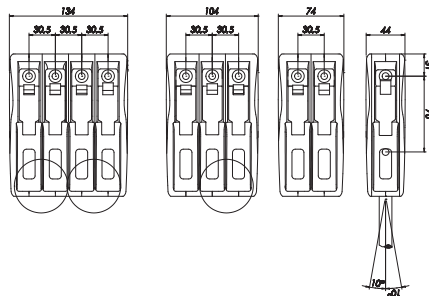
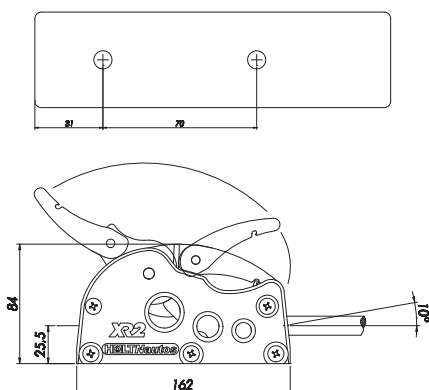
HT95087



HT95088

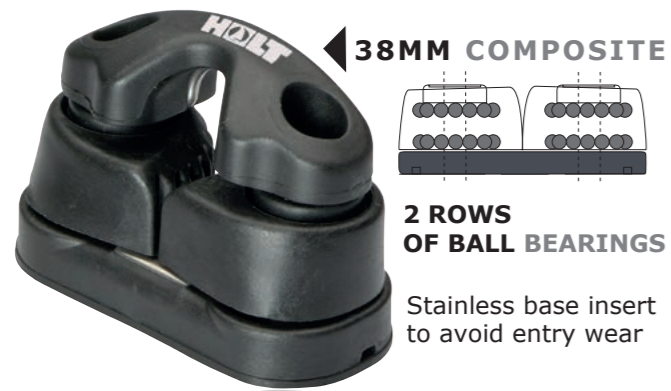


HT95089



Part No.	Description	Line Size (mm)	Max SWL (kg)	Hole Centres (mm)
HT95186	Single	10-16	700	70
HT95187	Double	10-16	700	70
HT95188	Triple	10-16	700	70
HT95189	Quad	10-16	700	70

CAM CLEATS & ACCESSORIES



38MM RANGE



27MM RANGE

27MM COMPOSITE

Advanced metal replacement resin. Greater resistance to heat and UV stable. Lighter and stronger. Improved Jaw profile and vertical pillar design - Stronger and easier to release



Part No.	Line Size (mm)	Hole Centres (mm)	Fixing Size (mm)
HT91025	5 - 10	38	M5
HT91035	5 - 12	38	M5
HT91185	5 - 12	38	M5
HT91077	5 - 12	38	M5
HT91054	5 - 12	38	M5
HT91019	-	38	M5
HT.293	-	38	M5
HT91020	5 - 12	38	M5
HT91026	2 - 7	27	M4
HT91182	2 - 7	27	M4
HT91078	2 - 7	27	M4
HT91233	2 - 7	27	M4
HT91018	-	27	M4
HT91021	2 - 7	27	M4
HT4388	2 - 7	27	M4
HT91013	5 - 10	70	M5
HT4077	4 - 8	40	M5

MAINSHEET & SWIVEL JAMMERS

CLEAT ANGLE
Cleat angle can be altered using a 27mm angled wedge (HT91018)

WIRE CORE STRUCTURE
Wire fairlead continues under cleat giving improved strength

COMPOSITE BODY
Glass Nylon body gives a light-weight rigid structure to give precise cleating without play



NEW
WIRE COMPOSITE SWIVEL

PIN STOP SWIVEL
Rotation can be set using a pin stop giving the option of 360/45/60 or 80 degrees rotation



Mainsheet Jammers



360 DEGREE BASES



Springs / Swivel Mounts



Part No.	Usage	Hole Centres (mm)	Fix Hole Size (mm)	Max Work Load (kg)	Weight (g)
HT4266	Sports Boats, Etchell, Musto Skiff	4 x 20	M5	400	360
HT4266COMP	420, RS Feva, RS200	4 x 20	M5	400	330
HT4366	Etchell, Fireball, Merlin Rocket	4 x 20	M5	300	420
HT5466	Jib Leads, Control Lines, Sheets	3 x 26	M5	160	214
HT5566	Jib Leads, Control Lines, Sheets	3 x 26	M5	235	190
HT5766	Control Lines, Halyards	3 x 26	M5	165	147
HT4867	Jib sheets (4-6mm)	3 x 26	M5	100	92
HT4967	Jib sheets (4-9mm)	3 x 26	M5	130	92
HT1034	-	-	-	-	-
HT4033	-	-	-	-	-
HT4034	-	-	-	-	-
HT4222	Mainsheet Swivel, Sheet Leads	3 x 33	M4	300	28
HT4422	Mainsheet Swivel, Sheet Leads	3 x 33	M4	300	26